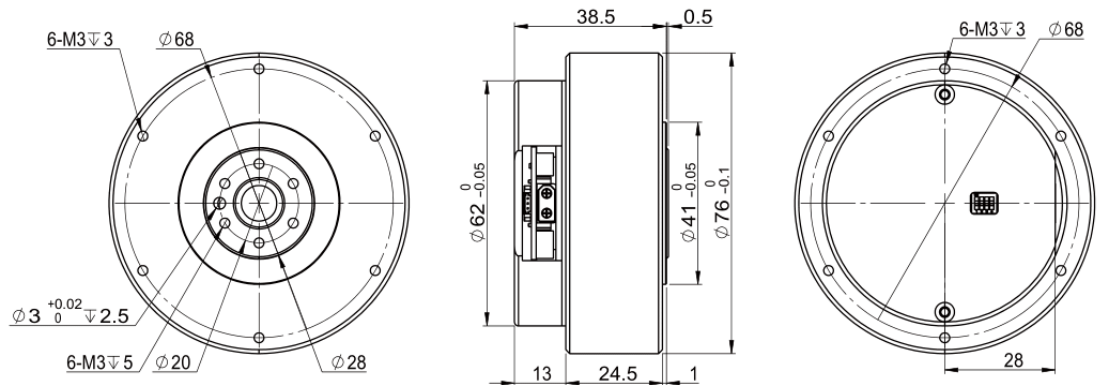


MG6010-i6 v3

DIMENSIONS [mm]



Weight : 340g approx.



MOTOR DATA

Outer Rotor Brushless DC Motor with Planetary Reducer

1	Nominal Voltage	VDC	24	48
2	Nominal Torque	Nm	5	5
3	Nominal Speed	rpm	170	390
4	Nominal Current	A	6	6
5	Max Speed	rpm	250	505
6	Max Torque	Nm	10	10
7	Max Current	A	12	12
8	Max Output Power	W	120	400
9	Speed Constant	rpm/V	10.6	10.6
10	Torque Constant	Nm/A	0.9	0.9
11	Winding Type		Y	Y
12	Number of Winding Turns		20	20
13	Resistance (phase to phase)	Ω	0.56	0.56
14	Inductance (phase to phase)	mH	0.57	0.57
15	Number of Poles		28	
16	Rotor Inertia	gcm^2	805	
17	Working Temperature	$^{\circ}C$	-20~+80	
18	Gear Reduction Ratio		6:1	
19	Gear Backlash	arcmin	≤ 6	
20	Bearing Nominal Load	N	900	

DRIVER DATA

32-bit MCU / FOC Control / Trapezoidal Acceleration

21	Input Voltage	VDC	12~60
22	Output Current	A	Nominal 10 / Max 20
23	Encoder for Motor		18-bit Absolute Angle-sensing Magnetic Encoder
24	Encoder for Reducer		None
22	Communication		RS485 or CAN
23	Communication Frequency	Hz	RS485 : 500 / CAN : 2000 (based on default baud rate)
24	RS485 Baud Rate	bps	9.6K, 19.2K, 38.4K, 57.6K, 115.2K(default), 230.4K, 460.8K, 1M, 2M
25	CAN Baud Rate	bps	125K, 250K, 500K, 1M(default)
26	Control Cycle		Torque Loop 32KHz / Speed Loop 8KHz / Position Loop 4KHz

DRIVER INTERFACE PIN ASSIGNMENT

Pin --- A / H	RS485 - A / CAN - H
Pin --- B / L	RS485 - B / CAN - L
Pin --- V-	Power Supply - Negative
Pin --- V+	Power Supply - Positive
Pin --- A / H	RS485 - A / CAN - H
Pin --- B / L	RS485 - B / CAN - L
Pin --- T	UART Transmitter
Pin --- R	UART Receiver
Pin --- G	Signal GND

MG6010-i6 v3

CHARACTERISTIC CURVE

