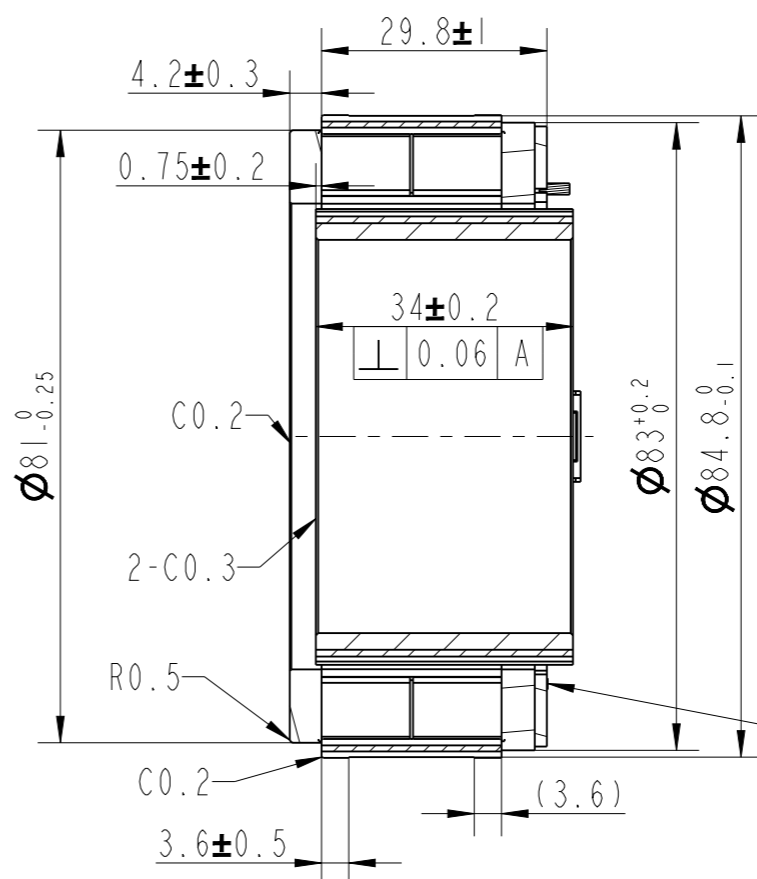
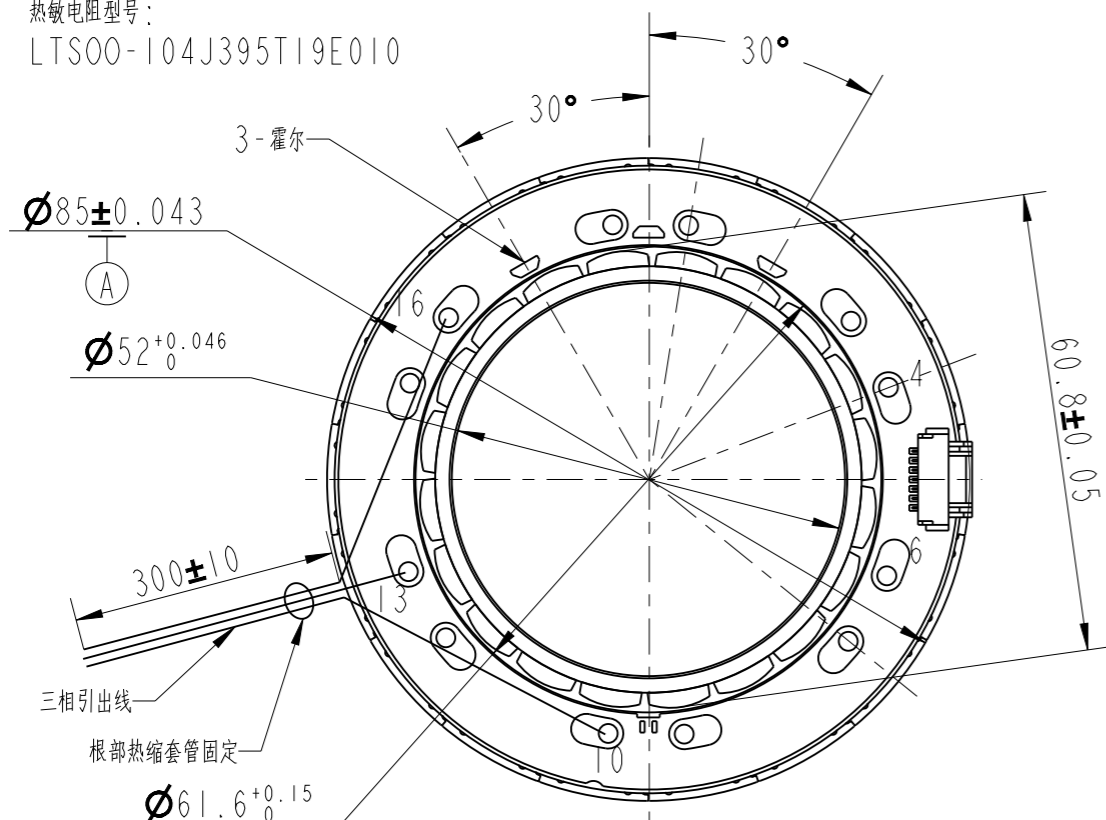
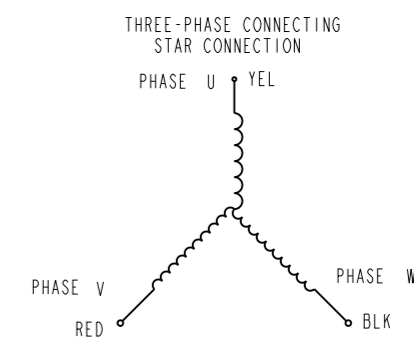
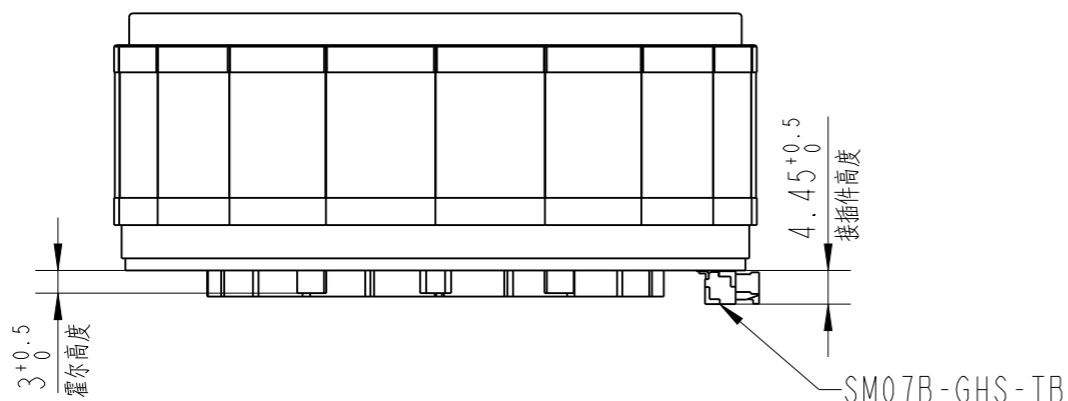


REV	ECN	NO	DESCRIPTION	DRN	APP'D	DATE

热敏电阻型号:
LTS00-104J395T19E010



PIN1	NTC2
PIN2	NTC1
PIN3	GND
PIN4	Ha
PIN5	Hb
PIN6	Hc
PIN7	Vcc



NUMBER OF PHASE	绕组相数	3	Wires for Phases UL1332 AWG16		
NUMBER OF POLES	极数	20	PHASE U	PHASE V	PHASE W
LINE TO LINE RESISTANCE	线电阻	0.09 ±10%ohms@20°C	YEL	RED	BLK
LINE TO LINE INDUCTANCE	线电感	0.12 ±20%mH@1kHz	Wires for Hall UL1061 AWG26		
NOMINAL VOLTAGE	额定电压	48 VDC	HALL Vc	Hu	Hv
NO LOAD SPEED	空载转速	4000±10% RPM	Hw	HALL Gnd	NTC1
NO LOAD CURRENT	空载电流	1.1 A(REF)	RED	BLU	GRN
RATED TORQUE	额定转矩	2.0 N.m	WHT	BLK	NTC2
RATED SPEED	额定转速	3500 RPM	PERMISSIBLE RADIAL+AXIAL FORCE		
RATED CURRENT	额定电流	15±5% A			
PEAK TORQUE	峰值扭矩	6 N.m			
PEAK CURRENT	峰值电流	45±5% A			
BACK EMF CONSTANT	反电势常数	8.3±10% Vrms/kRPM			
TORQUE CONSTANT	转矩常数	0.137 N.m/A			
INSULATION CLASS	绝缘等级	B 130°C	AXIAL-FORCE	轴向压力	Fa=/ N Max
DIELECTRIC STRENG	介电强度	1000VAC 1SEC	DISTANCE	距离	a=/ mm
INSULATION RESIST	绝缘电阻	100MΩm @500VDC	RADIAL-FORCE	径向压力	Fr=/ N Max
ROTOR INERTIA	转子转动惯量	1467g.cm ² (仅电机中转子)	SHAFT RADIAL PLAY	径向间隙	/ mm Max.@4N
WEIGHT	重量	580±10 g	SHAFT AXIAL PLAY	轴向间隙	/ mm Max.@4N
OPERATION AMBIENT	使用环境	Ambient temperature:-20...+50°C, humidity Max.85%(No condensation)			
STORAGE AMBIENT	存储环境	Ambient temperature:-20...+80°C, humidity Max.85%(No condensation)			

A		DESIGN	DATE	P/N.	
REV	ECN NO.	DESCRIPTION		TITLE	电机
UNLESS OTHERWISE SPECIFIED		MATERIAL	CONTR.	CHECK	
TOLERANCES:					
DECIMALS:					
.X ±0.5					
.XX ±0.25					
.XXX ±0.1					
UNIT: mm		FIRST ANGLE PROJECTION	SCALE 1:1	USED ON	FL85BL23-48V-3500730A
DO NOT SCALE DRAWING			SHEET 1 OF 1	DWG NO.	REV A
					FULLING MOTOR