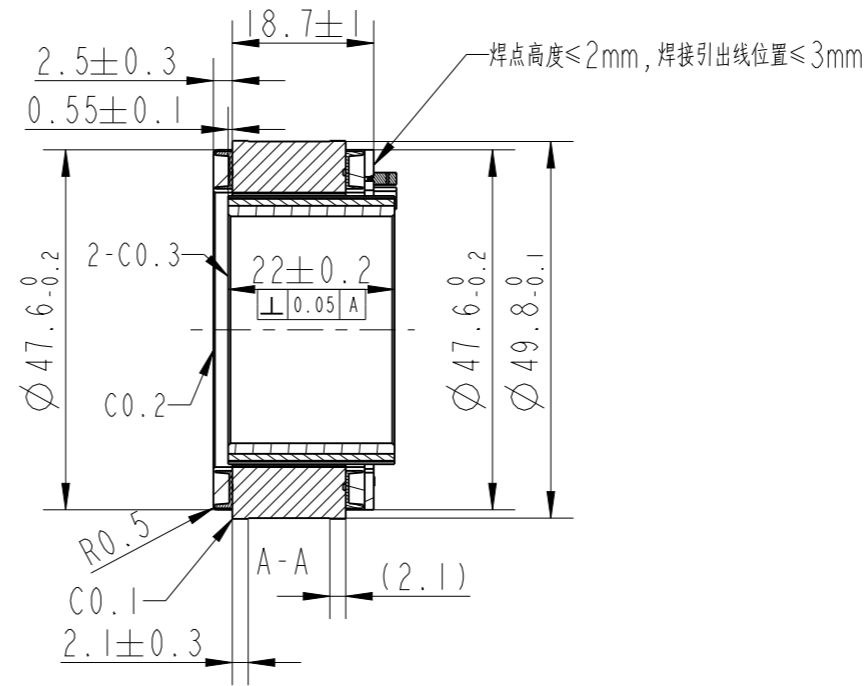
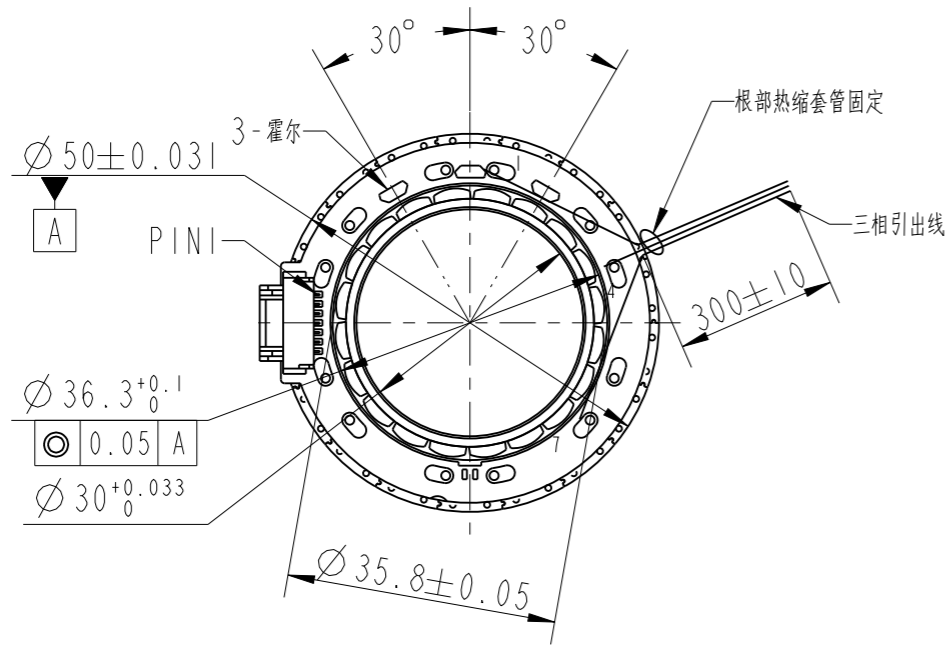


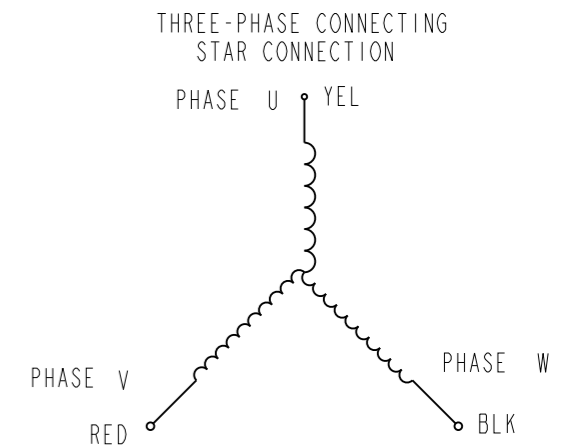
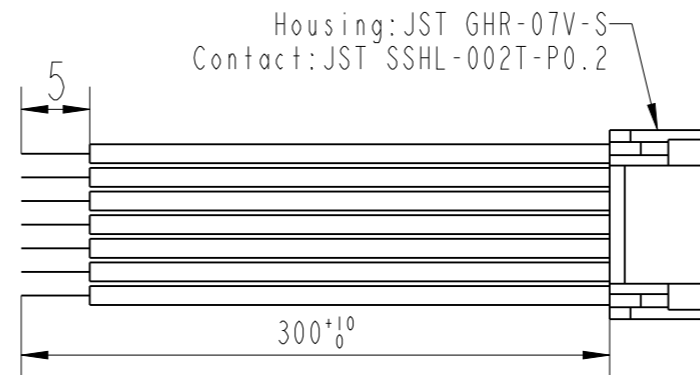
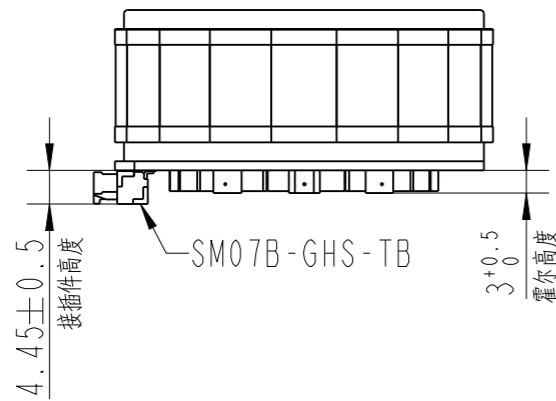
热敏电阻型号

LTS00-104J395T19E010

REV	ECN	NO	DESCRIPTION	DRN	APP'D	DATE



PIN1	NTC2
PIN2	NTC1
PIN3	GND
PIN4	Ha
PIN5	Hb
PIN6	Hc
PIN7	Vcc



NUMBER OF PHASE	绕组相数	3	Wires for Phases UL1332 AWG20					
NUMBER OF POLES	极数	20	PHASE U	PHASE V	PHASE W			
LINE TO LINE RESISTANCE	线电阻	0.77±10% ohms@20°C	YEL	RED	BLK			
LINE TO LINE INDUCTANCE	线电感	0.38±20% mH@1kHz	Wires for Hall UL1061 AWG26					
NOMINAL VOLTAGE	额定电压	48 VDC	HALL Vc	Hu	Hv	Hw	HALL Gnd	NTC1
NO LOAD SPEED	空载转速	4800±10% RPM	RED	BLU	GRN	WHT	BLK	YEL
NO LOAD CURRENT	空载电流	0.6 A(REF)						BRN
RATED TORQUE	额定转矩	0.5 N.m	PERMISSIBLE RADIAL+AXIAL FORCE					
RATED SPEED	额定转速	3500 RPM						
RATED CURRENT	额定电流	4.8±5% A						
PEAK TORQUE	峰值转矩	1.5 N.m						
PEAK CURRENT	峰值电流	14.5±5% A						
BACK EMF CONSTANT	反电势常数	7.1±10% Vrms/kRPM						
TORQUE CONSTANT	转矩常数	0.117 N.m/A						
INSULATION CLASS	绝缘等级	B 130°C						
DIELECTRIC STRENG	介电强度	1000VAC 1SEC						
INSULATION RESIST	绝缘电阻	100MΩ @500VDC						
ROTOR INERTIA	转子转动惯量	124 g.cm ²	AXIAL-FORCE	轴向压力	/			
WEIGHT	重量	135±10%g	DISTANCE	距离	/			
OPERATION AMBIENT	使用环境	Ambient temperature:-20...+50°C, humidity Max.85%(No condensation)	RADIAL-FORCE	径向压力	/			
STORAGE AMBIENT	存储环境	Ambient temperature:-20...+85°C, humidity Max.85%(No condensation)	SHAFT RADIAL PLAY	径向间隙	/			
			SHAFT AXIAL PLAY	轴向间隙	/			

REV	ECN NO.	DESCRIPTION	DESIGN	DATE	P/N.	TITLE	SPECIFICATIONS
A							
UNLESS OTHERWISE SPECIFIED		MATERIAL	CONTR.	CHECK	USED ON		
TOLERANCES:					FL50BL15-48V-35183A		
DECIMALS:		ANGULAR:		APPD	DWG NO.		
.X ±0.5		±0°30'			REV		
.XX ±0.25					A		
.XXX ±0.1							
UNIT: mm		FIRST ANGLE PROJECTION		SCALE 1:1	FULLING MOTOR		
DO NOT SCALE DRAWING				SHEET 1 OF 1			