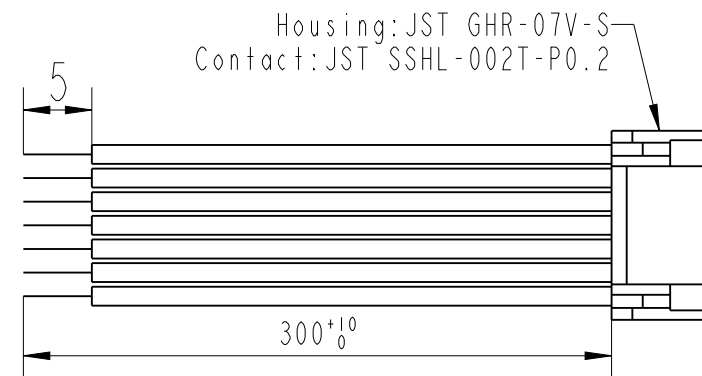
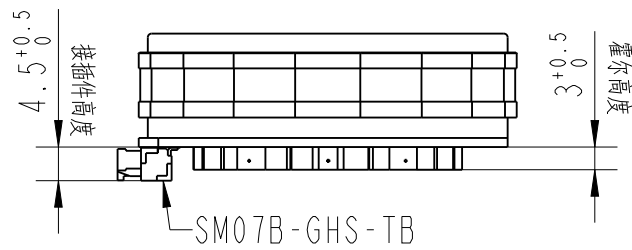
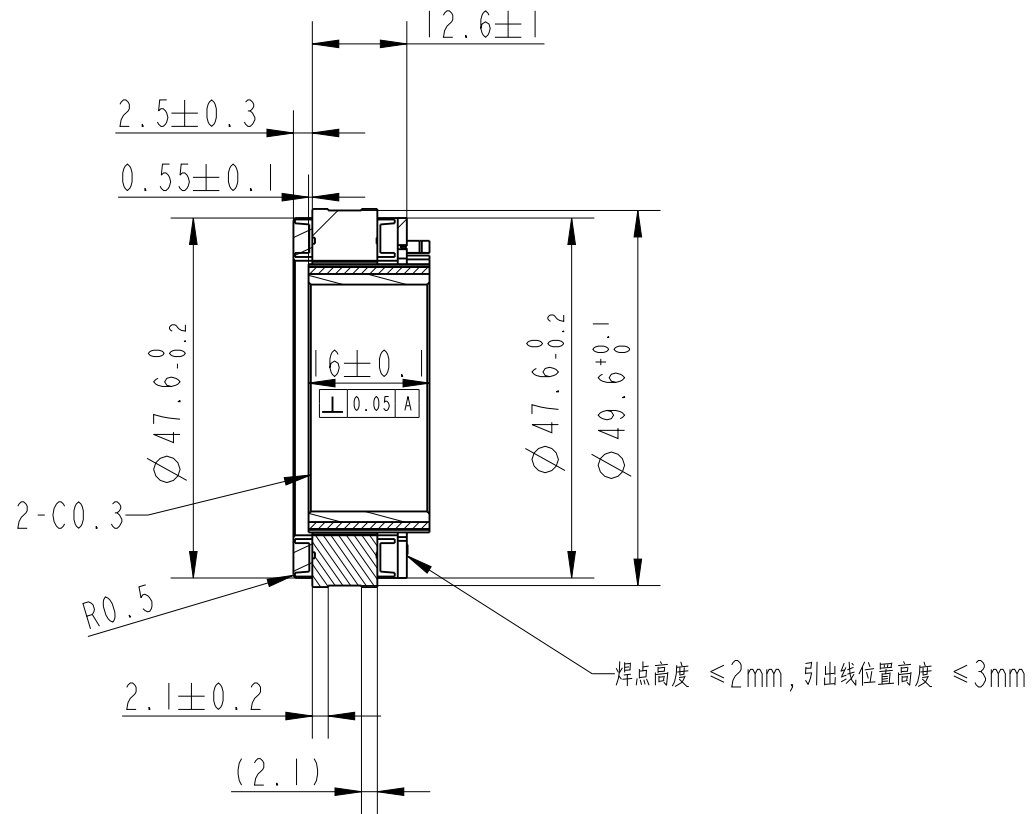
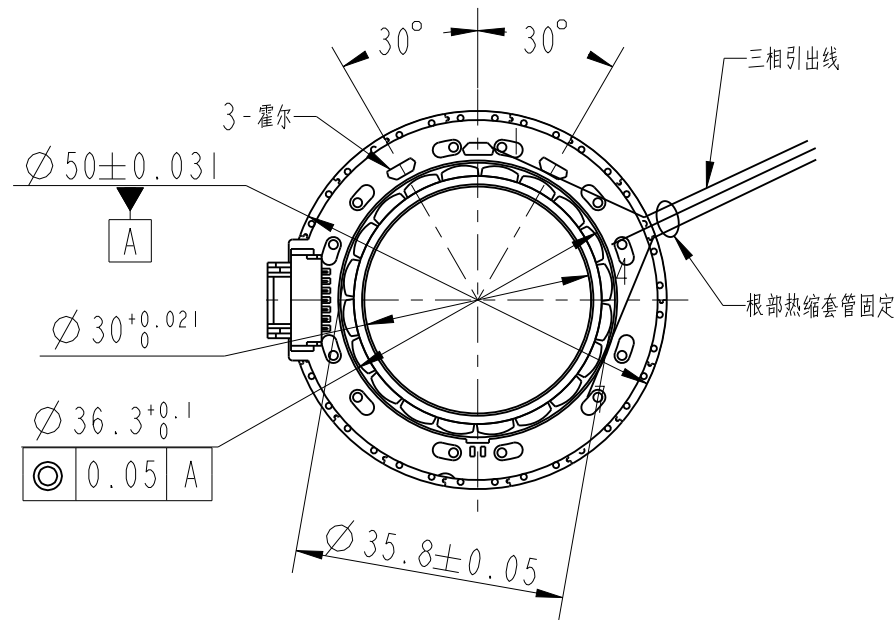
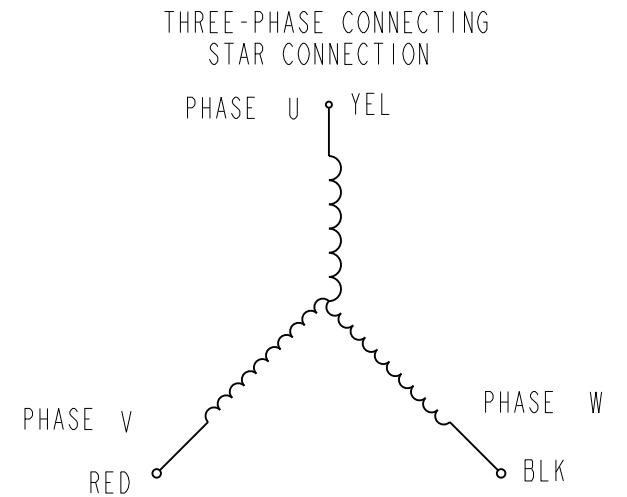


热敏型号:
LTS00-104J395T19E010



REV	ECN	NO	DESCRIPTION	DRN	APP'D	DATE



NUMBER OF PHASE	绕组相数	3	Wires for Phases UL1430 AWG22		
NUMBER OF POLES	极数	20	PHASE U	PHASE V	PHASE W
LINE TO LINE RESISTANCE	线电阻	0.93±10% ohms@20°C	YEL	RED	BLK
LINE TO LINE INDUCTANCE	线电感	0.45±20% mH@1kHz	Wires for Hall UL1061 AWG26		
NOMINAL VOLTAGE	额定电压	48 VDC	HALL Vc	Hu	Hv
NO LOAD SPEED	空载转速	6200±10% RPM	RED	BLU	GRN
NO LOAD CURRENT	空载电流	0.4 A(REF)	Hw	Hw	Hw
RATED TORQUE	额定转矩	0.3 N.m	HALL Gnd	WHT	BLK
RATED SPEED	额定转速	5000 RPM	NTC1	NTC2	
RATED CURRENT	额定电流	3.6 A	YEL	BRN	
PEAK TORQUE	峰值转矩	0.96 N.m	PERMISSIBLE RADIAL+AXIAL FORCE		
PEAK CURRENT	峰值电流	11.6 A			
BACK EMF CONSTANT	反电势常数	5.4 Vrms/kRPM			
TORQUE CONSTANT	转矩常数	89 mN.m/A			
INSULATION CLASS	绝缘等级	B 130°C			
DIELECTRIC STRENG	介电强度	1000VAC 1SEC			
INSULATION RESIST	绝缘电阻	100MΩ @500VDC			
ROTOR INERTIA	转子转动惯量	90g.cm²			
WEIGHT	重量	TBDkg			
OPERATION AMBIENT	使用环境	Ambient temperature: -25...+40°C, humidity Max.85%(No condensation)			
STORAGE AMBIENT	存储环境	Ambient temperature: -10...+45°C, humidity Max.85%(No condensation)			

REV	ECN NO.	DESCRIPTION	DESIGN	DATE	P/N.
					3.1.02.050.0006
UNLESS OTHERWISE SPECIFIED		MATERIAL	CONTR.	CHECK	TITLE
TOLERANCES:					电机
DECIMALS:					USED ON
.X ±0.5					FL50BL08-48V-50170A
.XX ±0.25					DWG NO.
.XXX ±0.1					REV
UNIT: mm		FIRST ANGLE PROJECTION	SCALE 1:1		A
DO NOT SCALE DRAWING			SHEET 1 OF 1		FULLING MOTOR