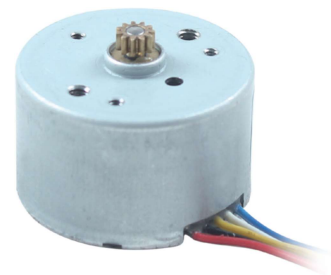
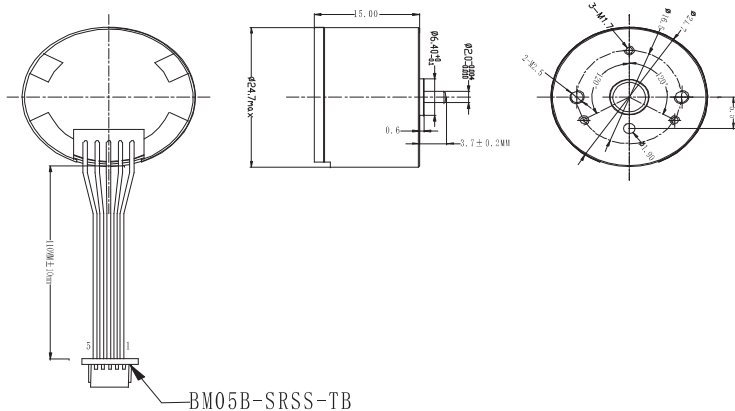


机械尺寸

(Dimensions)



选件 Options



特性概要

(General Specifications)

极数 (Number of Poles)	12
相数 (Number of Phases)	3
轴向间隙 (Axial Play)	0.2mm
轴伸径向圆跳动 (Rounded runout of shaft and Extension)	0.05mm Max
噪音 (Noise)	≤50dB
环境温度 (Ambient Temperature)	-10°C ~ +60°C
绝缘电阻 (Insulation resistance)	100VDC/10MΩ Min
旋转方向 (Dirction of rotation)	CW/CCW
储存环境 (Storage condition)	-15°C ~ +65°C

接线说明

(Electric Connection)

Pin No	引出线型号 Type	功能 Functions
1	UL-1571 30AWG	VCC(Red)
2		GND(Black)
3		PWM(Yellow)
4		FG(White)
5		F/R(Blue)

电性能

(Electrical Specifications)

	单位 (Unit)	FL24BLW25-IE
额定电压 (Rated voltage)	VDC	5
额定转矩 (Rated torque)	mN.m	3.5
额定速度 (Rated speed)	RPM	5800
额定功率 (Rated power)	W	2
堵转转矩 (Stall torque)	mN.m	150
额定电流 (Rated current)	A	0.7
空载电流 (No load current)	A	0.3 MAX
空载转速 (No load speed)	RPM	7500
堵转电流 (Stall current)	A	1.3
机身长度 (Motor length)	mm	15
重量 (Weight)	g	28.7